



TRAFFIC SAFETY SUPPLY COMPANY

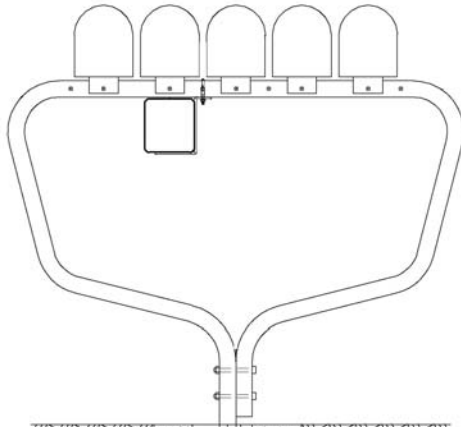
Your Traffic Sign & Supplies Resource Since 1956

OREGON MAILBOX SUPPORTS

**NCHRP-350
OR MASH
COMPLIANT**

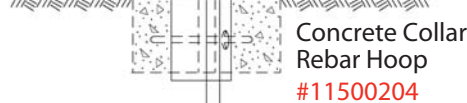


**NCHRP-350
OR MASH
COMPLIANT**

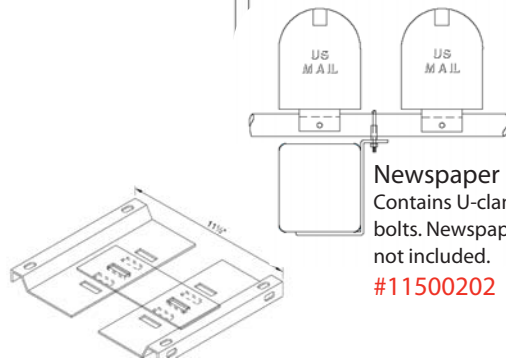


Oregon Spec Multiple Mailbox Support
Includes multiple tube support, V-loc socket and wedge
#15002

Oregon Spec Multiple Mailbox Bracket
For size 1 and 1-A Mailboxes.
Contains 2 ea 1/2 brackets, 2 ea 3" bolts, nuts, and washers,
2 ea 1" bolts, nuts, and washers, and 2 ea 2-hole galvanized angles.
#15004



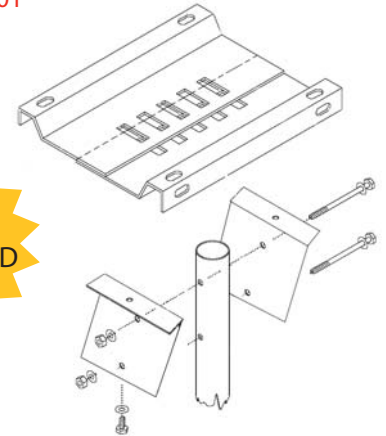
**Concrete Collar
Rebar Hoop**
#11500204



Newspaper Box Holder
Contains U-clip and bolts. Newspaper box not included.
#11500202

Adapter Plate for Mounting a Size 2 Mailbox
#11500500

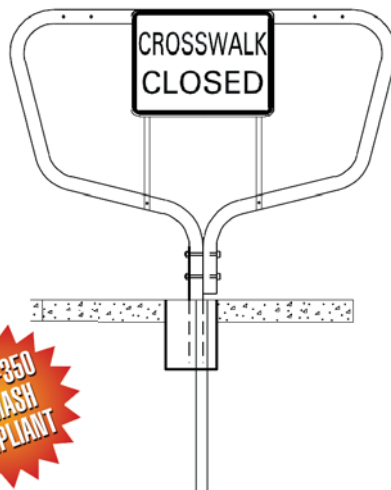
Oregon Spec Single Mailbox Support Kit
Includes single 2" O.D. 52" Tube, V-Loc socket and wedge.
#15001



**MAILBOXES
NOT INCLUDED**

Oregon Spec Single Mailbox Bracket
For size 1 and 1-A Mailboxes.
Contains 2 ea 1/2 brackets, 2 ea 3" bolts, nuts, and washers,
2 ea 1" bolts, nuts, and washers, and 2 ea 3-hole galvanized angles.
#15003

CROSSWALK CLOSURE SUPPORT



CROSSWALK CLOSURE SUPPORT

Crosswalk Closure Supports are used in raised islands or where buildings and/or other obstacles prevent installation of a freestanding sign.

Single Sided System:

Complete with V-loc, multi-tube, wedge, Type W1 "Crosswalk Closed" sign (24 x 18), 2 galvanized steel straps, mounting hardware (4-3/8" x 3-1/2" x 7/8" SS bolts, 12-SS washers, 6-nylon washers, 6-SS lock nuts)
#15049

Two Sided System:

Same as above but with two (2) Type W1 "Crosswalk Closed" signs, 2 additional galvanized steel straps and additional hardware (2-3/8" x 7/8" SS bolts, 2-SS washers, 2-nylon washers, 2-SS lock nuts)
#15048