



TRAFFIC SAFETY SUPPLY COMPANY

Your Traffic Sign & Supplies Resource Since 1956

PERFORATED SQUARE TUBE & QWIK PUNCH POSTS



QWIK PUNCH

Qwik Punch Posts are square tube posts that have a solid wall look. Simply punch out hole in desired mounting location with punch and hammer.

- Available in 14 gauge only.
- 2" x 10' #12700210
 - 2" x 12' #12700215
 - 2" x 20' #12700213
 - 2" x 24' #12700218

PERFORATED SQUARE TUBE AND QWIK PUNCH SIGN POSTS

The Perforated Square Tube and Qwik-Punch sign support systems are designed to meet NCHRP 350 breakaway standards. In addition, the square design allows the user to easily install posts into the ground that would otherwise require digging or driving from a raised platform.

Perforated Square Tube comes in widths from 1-1/2", 1-3/4", 2", 2-1/4" and 2-1/2". 7/16" Diameter holes on 1" hole centers. Galvanized steel conforming to ASTM Specification A653 DES G90.

Qwik-Punch Posts are available in 2". These posts are available in 14 gauge only. In-line, galvanized zinc coating per AASHTO M-120, followed by a conversion coating and a clear organic topcoat.

These different sizes allow different size pieces to be "sleeved" into one another. With this system, an anchor post (2-1/4" x 36" or 2-1/4" x 30") is driven into the soil with a "drive cap" using a sledge hammer or power driver. The anchor post is left slightly above or flush with the ground. The installer can then insert a 2" x 10' square tube (or any desired length) sign post into the 2-1/4" anchor post.

Square Tube and Qwik-Punch Signposts are stocked in 10 foot and 12 foot lengths. If you need to order another size, please call for assistance.

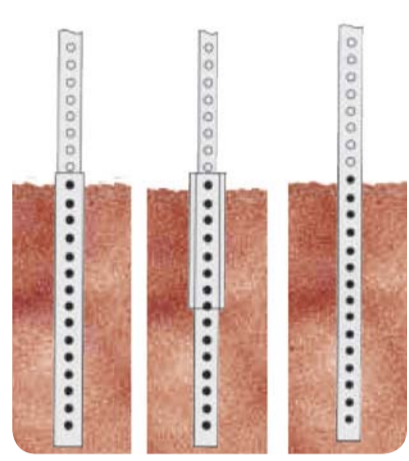
- 10 Gauge = .135 Wall Thickness
- 12 Gauge = .105 Wall Thickness
- 14 Gauge = .095 Wall Thickness

INSTALLATION OPTIONS

(FOR USE WITH PERFORATED SQUARE TUBE AND QWIK-PUNCH)

For applications where it is important or necessary to have a "breakaway" sign support, the installer can use a combination of an anchor, in conjunction with an additional sleeve, for added wall strength. When the sign post is hit (usually by a motor vehicle) the post breaks off at the top of the base sleeve level.

- A. Single Breakaway Anchor:** Using either manual or power equipment, a minimum 30" section of 12 gauge tubing is driven into the soil to serve as an anchor. 1" to 2" is left exposed above the surface. One man working at ground level can safely and easily insert a 14 gauge signpost into the anchor base and bolt into place.
- B. Two-piece Breakaway Anchor:** A two-piece breakaway system is easily created by adding a 12 gauge outer sleeve of the next larger size tube to the original anchor base. This additional sleeve, approximately 18" long, provides a double wall thickness to accomplish the breakaway function.
- C. Direct Embedded Single Post:** Signposts can be driven directly into the ground without anchoring sections, using a drive cap with sledge hammer or power equipment.



PERFORATED SQUARE TUBING:

Size	Gauge	lbs/Ft	Part # (10 Ft)	Part # (12 Ft)
1-1/2"	12	1.70	#12100110	#12100112
1-3/4"	12	2.06	#12100210	#12100212
1-3/4"	14	1.71	#12100227	#12100228
2"	12	2.42	#12100310	#12100312
2"	14	1.99	#12100330	#12100331
2-1/4"	12	2.79	#12100410	#12100412
2-1/2"	10	4.01	#12100464	#12100468
2-1/2"	12	3.14	#12100510	#12100512

QWIK PUNCH SIGNPOST:

Size	Gauge	lbs/Ft	Part # (10 Ft)	Part # (12 Ft)
2"	14	2.164	#12700210	#12700215

ANCHORS:

Size	Gauge		Part # (30")	Part # (36")
2-1/4"	12		#12100901	#12100900
2-1/2"	7		#12101390	#12101385
3"	7	4 HOLE		#12101400
3"	7	ST-4 (Anchor only)		#12101405
3"	7	SB-1 (Anchor only)		#12101410

SLEEVES:

Size	Gauge	Part # (18")
2-1/4"	12	#12101200
2-1/2"	12	#12101000

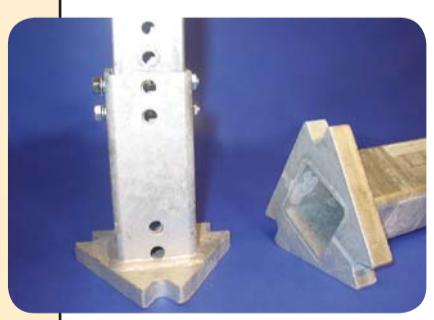
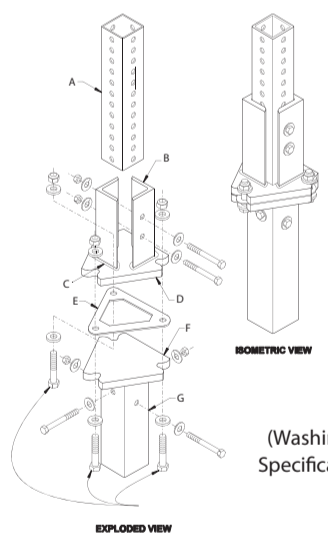


PERFORATED SQUARE TUBE & QWIK PUNCH POST SUPPORTS

SB-1 SLIP BASE ASSEMBLY

- A. Square Tube Sign post
- B. Sign post Bracket
- C. Fillet Weld
- D. Upper Slip Plate
- E. Teflon Gasket
- F. Lower Slip Plate
- G. Lower Slip Plate Stub (Lower sign post support not shown)
- H. Slip Base Bolts and washers

- For 2-1/2" Post #21300
For 3" Post #21400



UNIBASE SLIPBASE ASSEMBLY

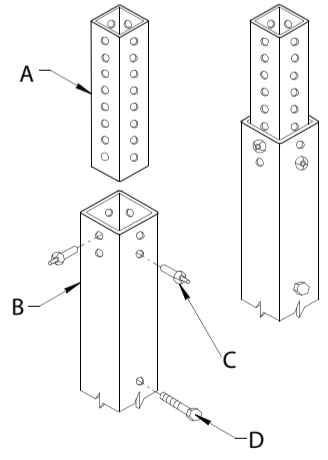
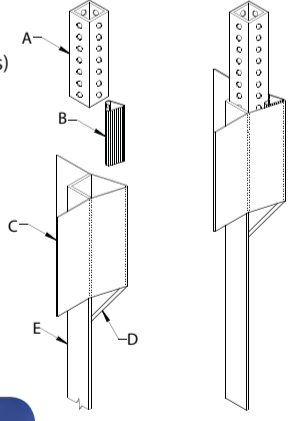
- A. Square Tube Sign post (not included)
 - B. 3/8" Bolts, Washers, Nuts
 - C. Top Slip Base Plate
 - D. Belt Sleeve
 - E. Teflon Gasket
 - F. Bottom Slip Base Plate
 - G. 1/2" Bolts
 - H. 3" x 3" x 7 gauge Anchor Tube welded to bottom slip base
- #21500 (Oregon Specifications)



ST-3 ANCHOR SYSTEM

- A. Square Tube Sign post (not included)
- B. Wedge
- C. Stabilizer Fin
- D. Clean Out Bar
- E. Anchor Leg Angle

- For 2" Post (Washington Specifications) #11501003
For 2-1/4" Post #11501023



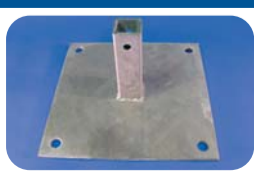
ST-4 - 10 HOLE ANCHOR SYSTEM

- A. Square Tube Sign post (not included)
 - B. Lower sign post support (36")
 - C. Drive Rivet
 - D. Stop Bolt for Sign post
- #12101405 (Washington Specifications)

SQUARE TUBE ACCESSORIES



- DRIVE RIVETS**
3/8" Aluminum #16502205
3/8" Steel #16502200



- SURFACE MOUNTED BASE**
#12101600



- WEDGE ANCHOR**
#16502320



- GALVANIZED STEP UP FOR SQUARE TUBE**
#12104000



- CORNER BOLT**
5/16" with nut
For 2" anchor #16502300
For 2-1/2" anchor #16502301
For 3" anchor #16502302



- 2" RAIN CAP**
#16504850