



# TRAFFIC SAFETY SUPPLY COMPANY

Your Traffic Sign & Supplies Resource Since 1956

## BOLLARDS

Bollards are the ideal way to protect buildings, windows, loading docks, equipment and other items, and are also popular for fully or partially blocking access to specified areas.

Traffic Safety Supply Company offers several types of standard and custom bollards.

Standard height: 36"  
(Other heights available)

Oregon DOT Galvanized Removable Bollard  
#17100510  
Oregon DOT Galvanized Permanent Bollard  
#17100511

Washington DOT Galvanized Removable Bollard  
#17100501  
Washington DOT Galvanized Permanent Bollard  
#17100502

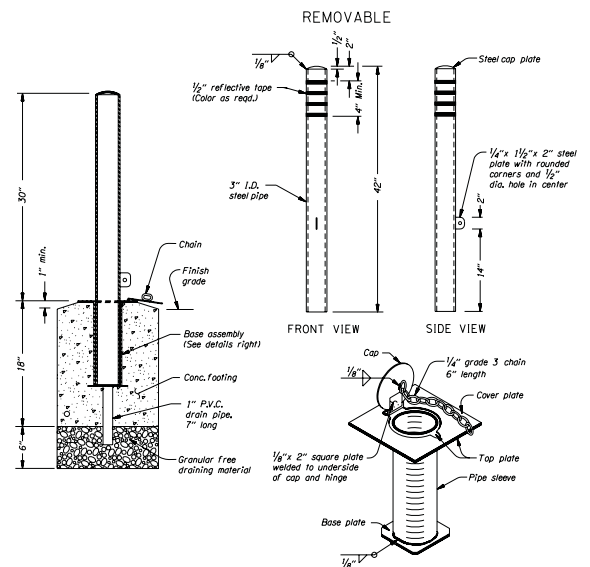
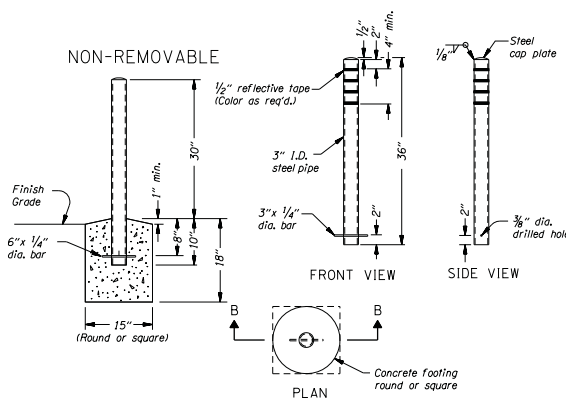
Custom Powder Coated Removable Bollard  
#17100516  
Custom Powder Coated Permanent Bollard  
#17100515  
Please specify color



Various styles and colors are available to match your project needs. Please contact our sales department for more information.  
#11613640



Removable and Non-removable available.  
Optional padlock hole covers are available for removable bollards.



## POLYURETHANE BOLLARDS

These "tough as nails" bollards fully comply with the function of preventing vehicles from entering prohibited zones. With their extreme flexibility, once they are hit and knocked down, they return to their full, original upright form. They cannot be broken or dented, and will never rust. They are solid color throughout and never need painting or refinishing.

When emergency vehicles need to gain access, they can pass over them easily. There is no need to remove them first or replace them after. The flexibility and "memory" of the polyurethane material, returns the bollard to a full upright position.

#11613635

## PLASTIC BOLLARD COVER

Prevents rust, keeping bollards looking sharp and visible.

Color: Yellow  
5" x 48" (fits 4"-5" OD Bollard)

#11613600

7" x 48" (fits 6"-7" OD Bollard)

#11613630

