



# TRAFFIC SAFETY SUPPLY COMPANY

Your Traffic Sign & Supplies Resource Since 1956

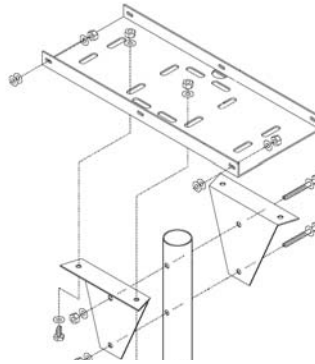
## WASHINGTON MAILBOX SUPPORTS

**NCHRP-350  
OR MASH  
COMPLIANT**

### Type 1 Washington Spec Single Mailbox Support Kit

2" O.D. 14 ga. Post 72" long, twist plate with 2 mounting clamps and hardware.

#15009



### Type 1 Washington Spec Mailbox Platform #1

Consists of mounting platform size 1 (1), brackets (2), and hardware (2 ea. 3/8 x 2-3/4" and 4 ea. 3/8 x 3/4" bolts with nuts, washers)

#15020

### Type 1 Washington Spec Mailbox Platform #1-A

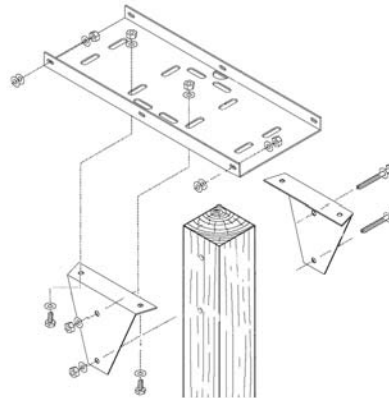
Same as the Platform #1 except with size 1-A platform

#15021

### Type 1 Washington Spec Mailbox Platform #2

Same as the Platform #1 except with size 2 platform

#15022



### Type 1 Washington Spec Wood Post Platform

For use with 4 x 4 wood post. Platforms are the same as the Type 1 Washington Spec platforms except they contain extra hardware.

Platform Size 1 #15027

Platform Size 1-A #15028

Platform Size 2 #15029

### Type 2 Washington Spec Multiple Mailbox Support

2" O.D. 14 ga. Formed Post, one 20-VR3 V-Loc socket, one SW-1 wedge 45 lbs.

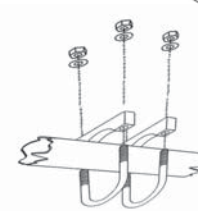
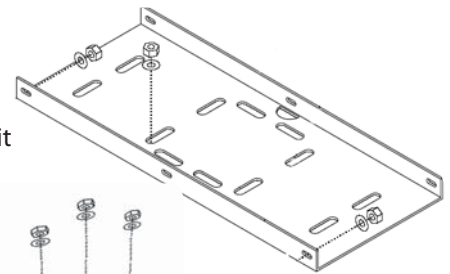
#15008

### Type 2 Washington Spec Multiple Mailbox Platform Kit

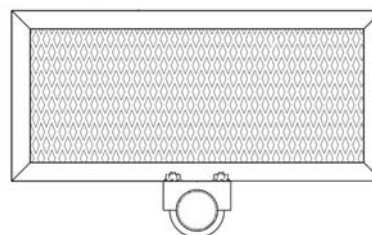
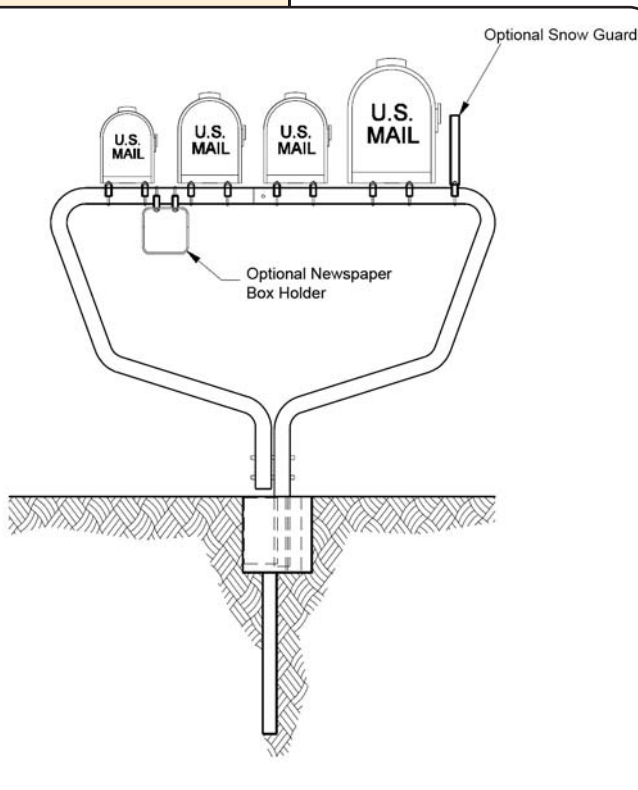
Platform Size 1 #15030

Platform Size 1-A #15031

Platform Size 2 #15032



**MAILBOXES  
NOT INCLUDED**



### Snow Guard

Contains 1 mounting clamp and hardware

#15024