



TRAFFIC SAFETY  
SUPPLY COMPANY

# Type I Plasticade HIP Barricade - 8" Panel Provides Protection and Visibility

»» IMPROVING TODAY FOR A SAFER TOMORROW

## PRODUCT OVERVIEW

### PRODUCT NO. - DP00516

The industry's original all-plastic Type I barricade is designed to be extra durable while providing protection and visibility in heavy-traffic areas. This one-piece barricade makes placement and transportation simple and quick. Type I barricades have one reflective board and are often used for road detours, road closing, and other types of traffic control.

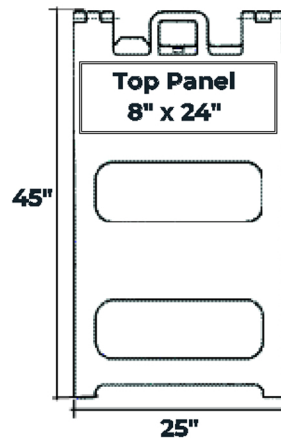
### FEATURES AND BENEFITS

- All plastic and maintenance free, never rusts, needs painting, or leg straightening.
- Molded hollow so it can be internally ballasted with up to 10 lbs. of dry sand.
- Features "click lock" hinges for a positive interlock in the open position.
- Sandbag bar (if additional weight is required)
- Stacking lugs keep stacked units from sliding
- Names can be stenciled on the barricade for identification
- The top panel has reflective sheeting in High Intensity Prismatic grade
- NCHRP-350 Accepted, Meets MUTCD Standards

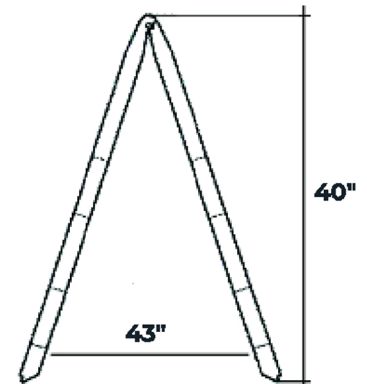


### Specs

Composition	High Density Polyethylene
Dimensions	45"H x 25"W x 3"D
Colors	White
Weight	16 lbs.



Front View  
(Folded)



Side View  
(Open)

The specifications provided are approximate and subject to change. Graphics and illustrations are intended for illustrative purposes only.

Copyright 2024, Traffic Safety Supply Company.

2324 SE Umatilla Street, Portland, OR 97202 / +1 503.235.8531 / 1.800.547.8518 / TSSCO.COM





TRAFFIC SAFETY  
SUPPLY COMPANY

# Type II Plasticade HIP Barricade - 8" Panels Provides Protection and Visibility

»» IMPROVING TODAY FOR A SAFER TOMORROW

## PRODUCT OVERVIEW

### PRODUCT NO. - DP00517

The industry's original all-plastic Type II barricade is designed to be extra durable while providing protection and visibility in heavy-traffic areas. This one-piece barricade makes placement and transportation simple and quick. Type II barricades have two reflective boards and are often used for road detours, road closing, and other types of traffic control.

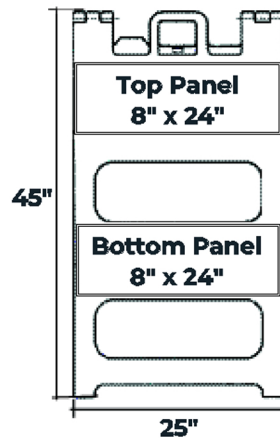
### FEATURES AND BENEFITS

- All plastic and maintenance free, never rusts, needs painting, or leg straightening.
- Molded hollow so it can be internally ballasted with up to 10 lbs. of dry sand.
- Features "click lock" hinges for a positive interlock in the open position.
- Sandbag bar (if additional weight is required)
- Stacking lugs keep stacked units from sliding
- Names can be stenciled on the barricade for identification
- Panels have reflective sheeting in High Intensity Prismatic grade
- NCHRP-350 Accepted, Meets MUTCD Standards

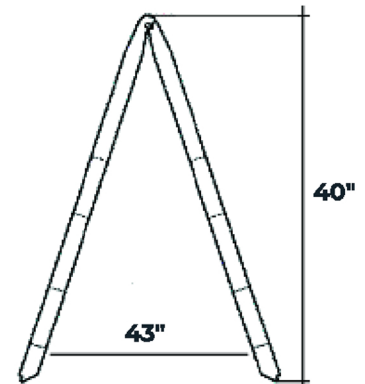


### Specs

Composition	High Density Polyethylene
Dimensions	45"H x 25"W x 3"D
Colors	White
Weight	16 lbs.



Front View



Side View

The specifications provided are approximate and subject to change. Graphics and illustrations are intended for illustrative purposes only.

Copyright 2024, Traffic Safety Supply Company.

2324 SE Umatilla Street, Portland, OR 97202 / +1 503.235.8531 / 1.800.547.8518 / TSSCO.COM

