



TRAFFIC SAFETY  
SUPPLY COMPANY

# V-Loc Drive Cap

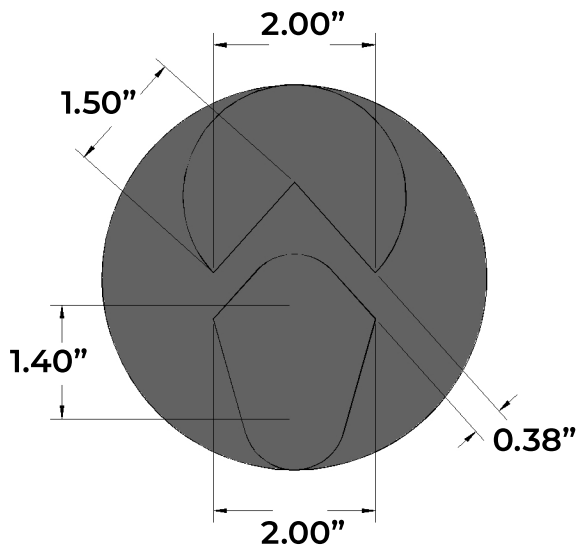
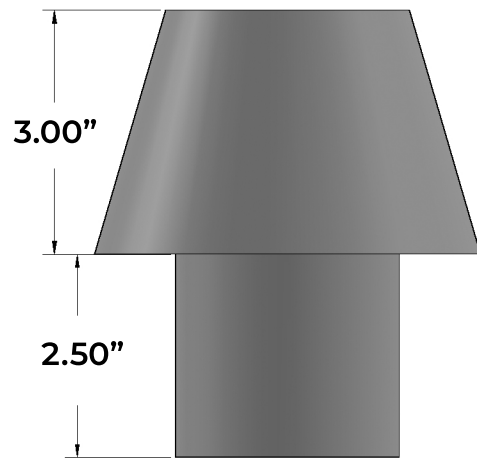
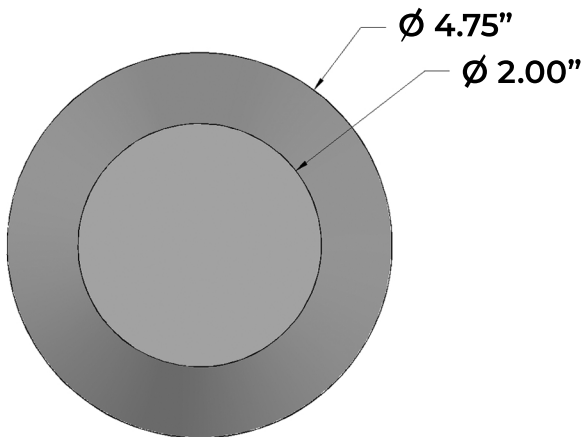
## Manual Drive Cap for Sledge Driving

»»» IMPROVING TODAY FOR A SAFER TOMORROW

### PRODUCT OVERVIEW

**PRODUCT NO. - DP02745**

V-Loc, Drive Cap, Hand Drive Cap, for use with a sledge for manually driving in V-Loc anchors.



The specifications provided are approximate and subject to change. Graphics and illustrations are intended for illustrative purposes only.

