



FirstGard - Foldable Cone

Small footprint, Big Safety

TRAFFIC SAFETY
SUPPLY COMPANY

»» IMPROVING TODAY FOR A SAFER TOMORROW



TO LEARN MORE
WATCH OUR PRODUCT DEMO

PRODUCT DESCRIPTION

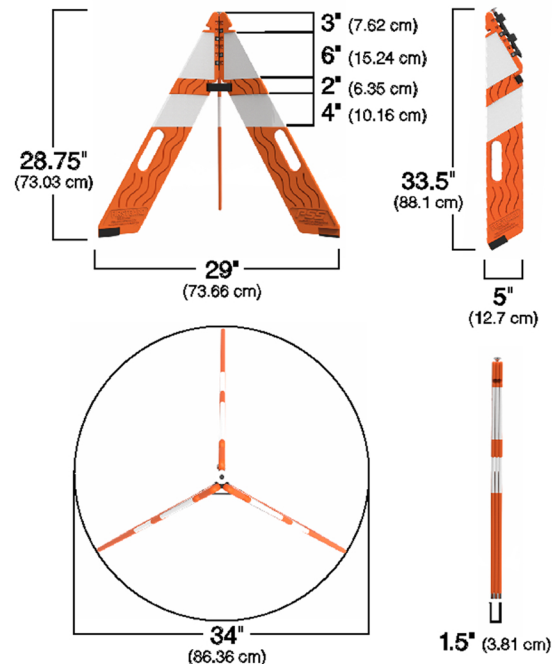
FirstGard is a foldable traffic cone that can be deployed nearly instantly. Lightweight but heavy enough to remain stable, FirstGard is designed to be transport-friendly with a small storage footprint. This innovation in channelizing devices will provide road construction and emergency management teams with increased conspicuity and visibility while in conformity to the MUTCD.

SPECIFICATIONS

- **Foldable Design:** FirstGard is the ultimate solution for transport-friendly traffic cones. Our patent-pending design allows easy transport, folding to just 1.5" wide, requiring minimal space to store multiple units.
- **Lightweight, stable and durable:** Crafted from high-density polyethylene, FirstGard can withstand the toughest conditions. It's durable construction ensures it remains stable while alerting and redirecting traffic effectively.
- **Repairability:** Accidents happen. That's why FirstGard features a replaceable connecting hinge component, allowing for easy repairs should any damage occur. Rest assured; your FirstGard cones will stand the test of time.
- **Visibility:** Lab testing indicates that FirstGard is up to twice as reflective as the average 28" traffic cone.



DIMENSIONS OF FIRST GARD:



The specifications provided are approximate and subject to change. Graphics and illustrations are intended for illustrative purposes only.

Copyright 2024, Traffic Safety Supply Company.

2324 SE Umatilla Street, Portland, OR 97202 / +1 503.235.8531 / 1.800.547.8581 / TSSCO.COM



TSSCO.COM